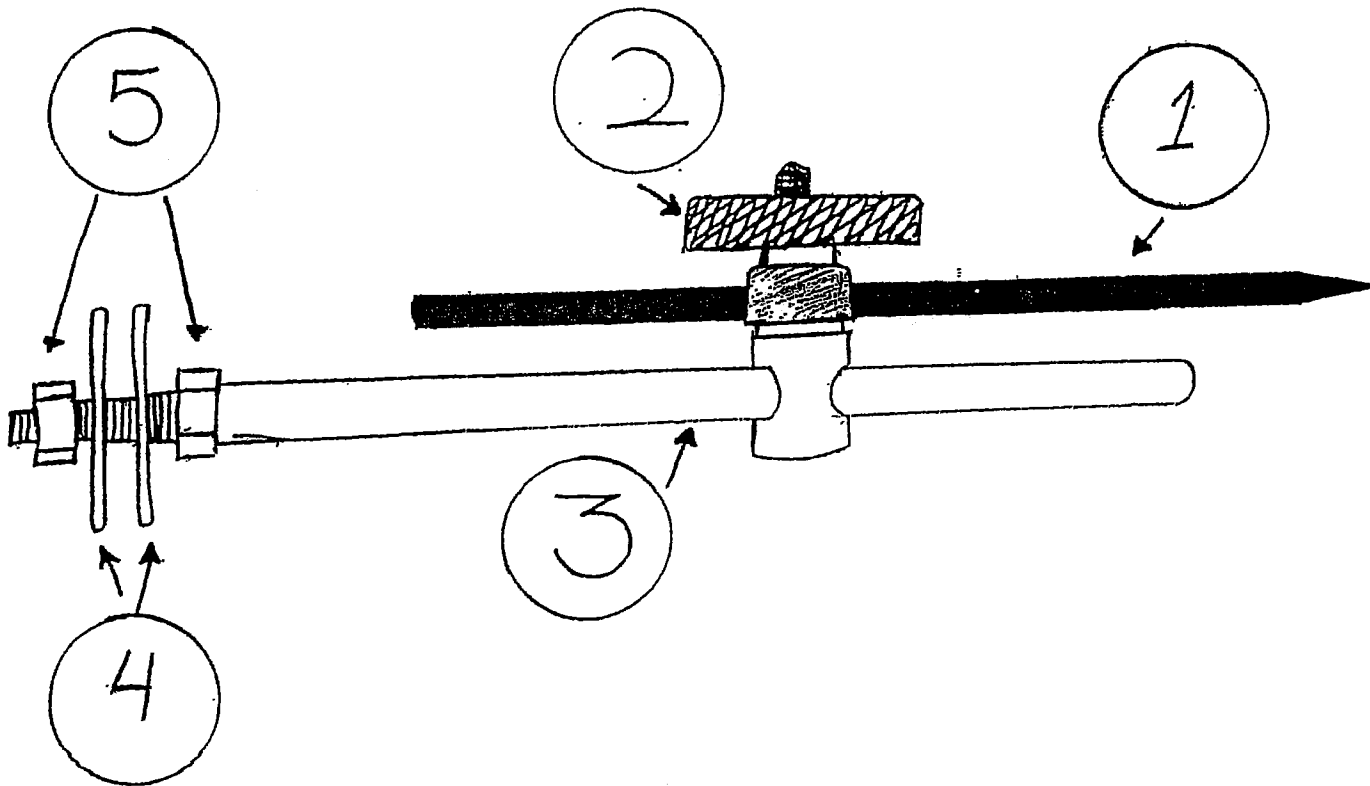


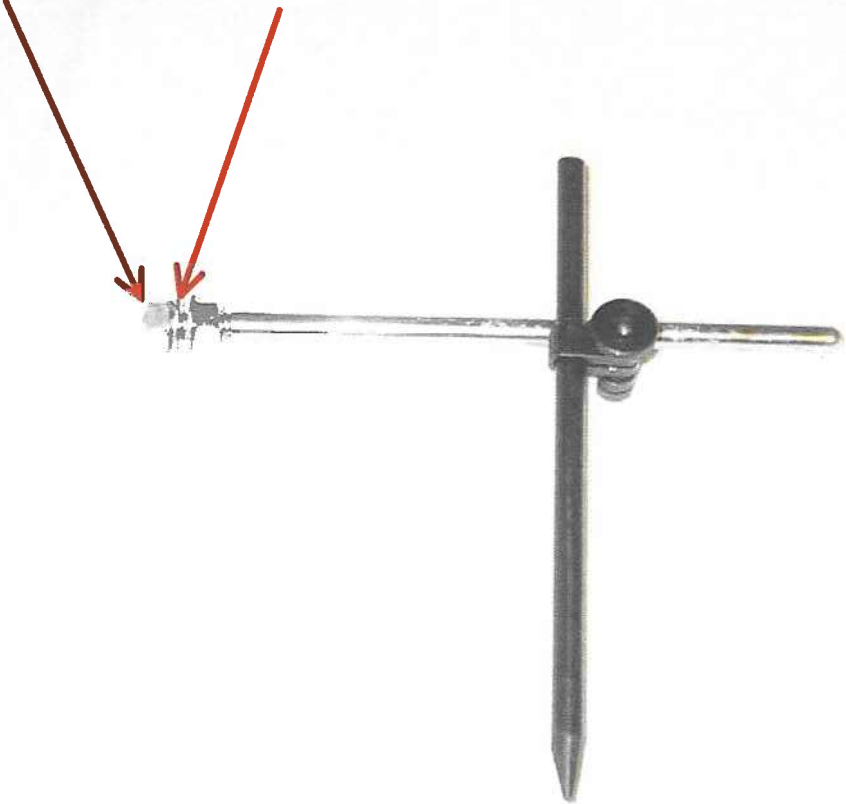
Stylus

Parts list

- #1 Delron rod, stylist Part# 3hq164900
- #2 S4 Gem swivel clamp Part# 57-031-404
- #3 6" rod, 1/4-20 Part# X- 1/4X20X6rod
- #4 1/4" Flat washer Part# L-1/4FW
- #5 Hex Nut Part# Y-1/4X20N



Remove this nut and washer

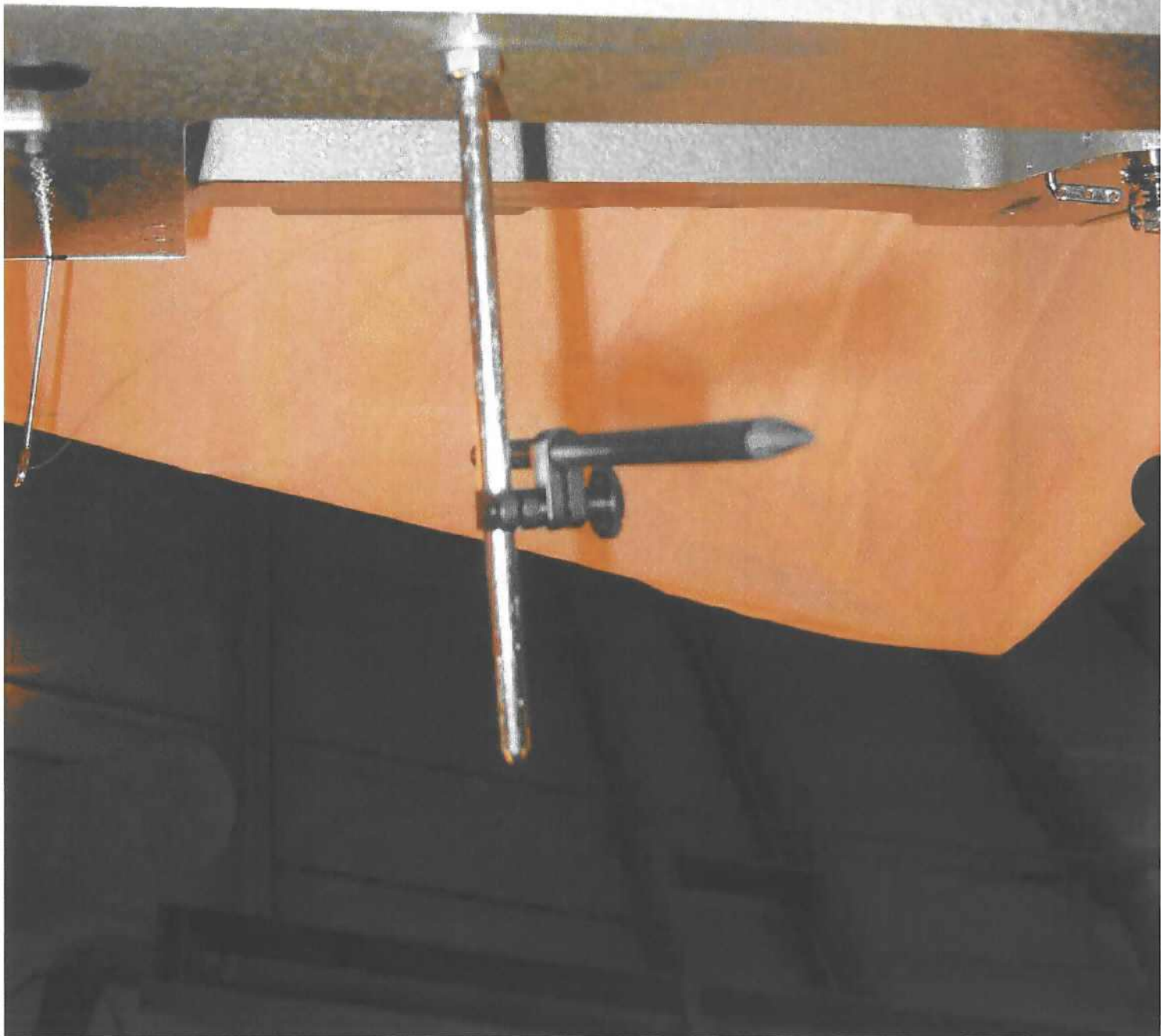


Hobby Quilter™
by NOLTING

5/16" hole to mount stylus



Tighten Nut and washer on this side



Adjust height and angle with thumb screw

